



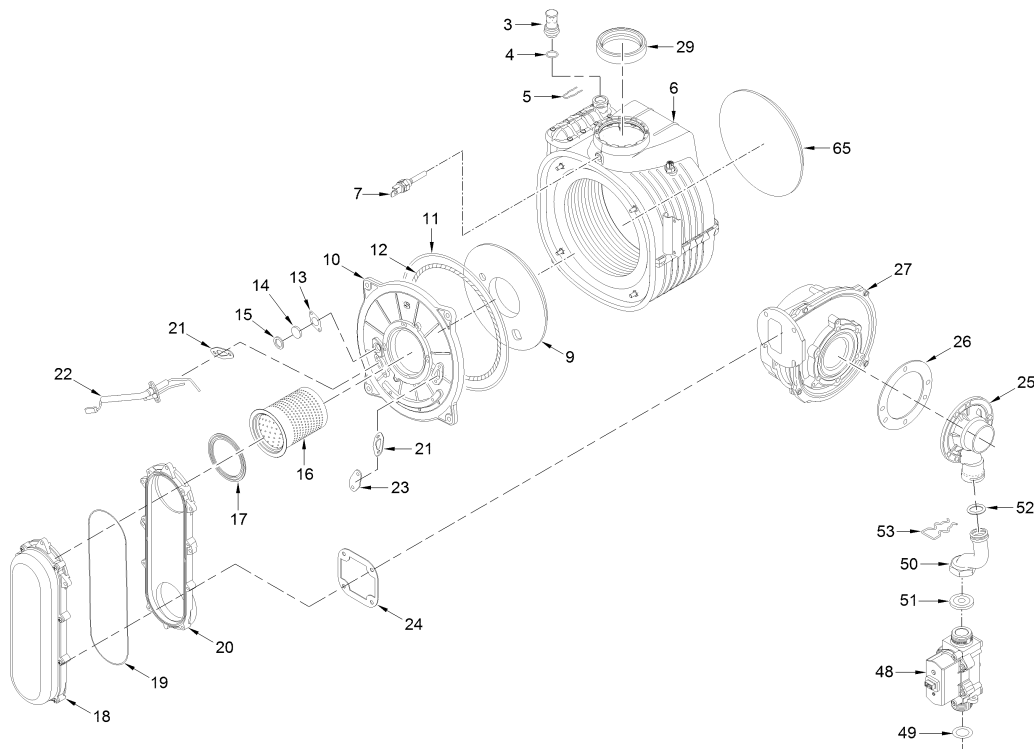
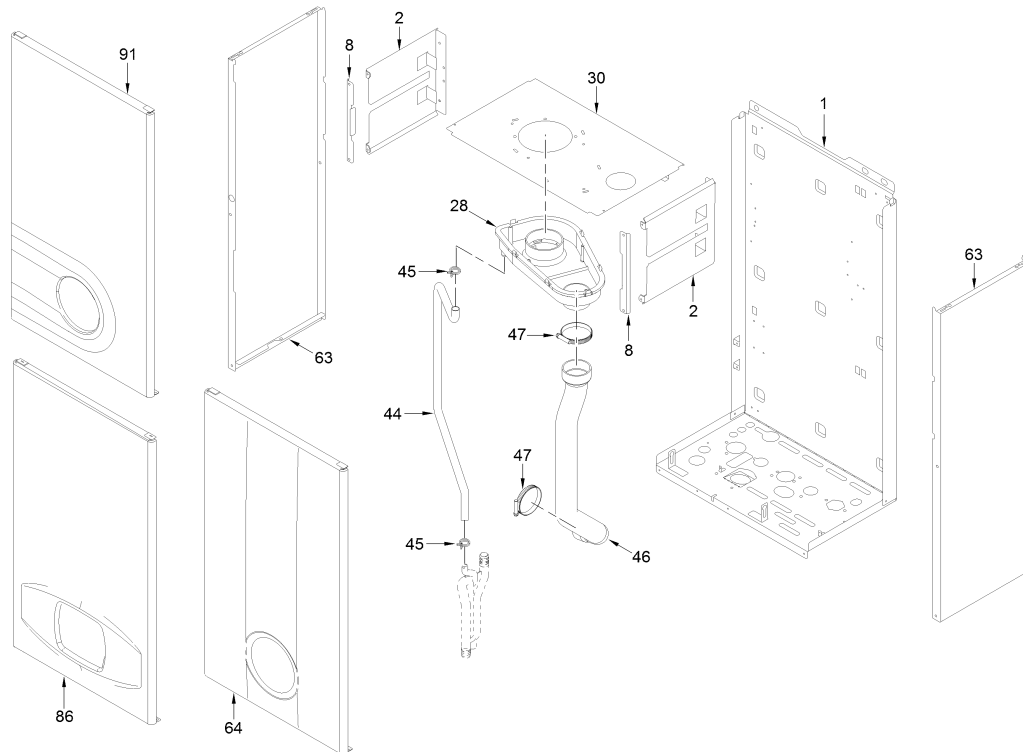
Fonderie Sime S.p.A. - Via Garbo, 27 - 37045 Legnago (VR) - www.sime.it
Tribunale Verona 13531 - R.E.A. VR 171357 - C.C.P. 19423375 - N° Mecc. VR 014435
Capitale Sociale Euro 5.521.200 int. versato - Codice Fiscale/Partita IVA n. IT 01275930236

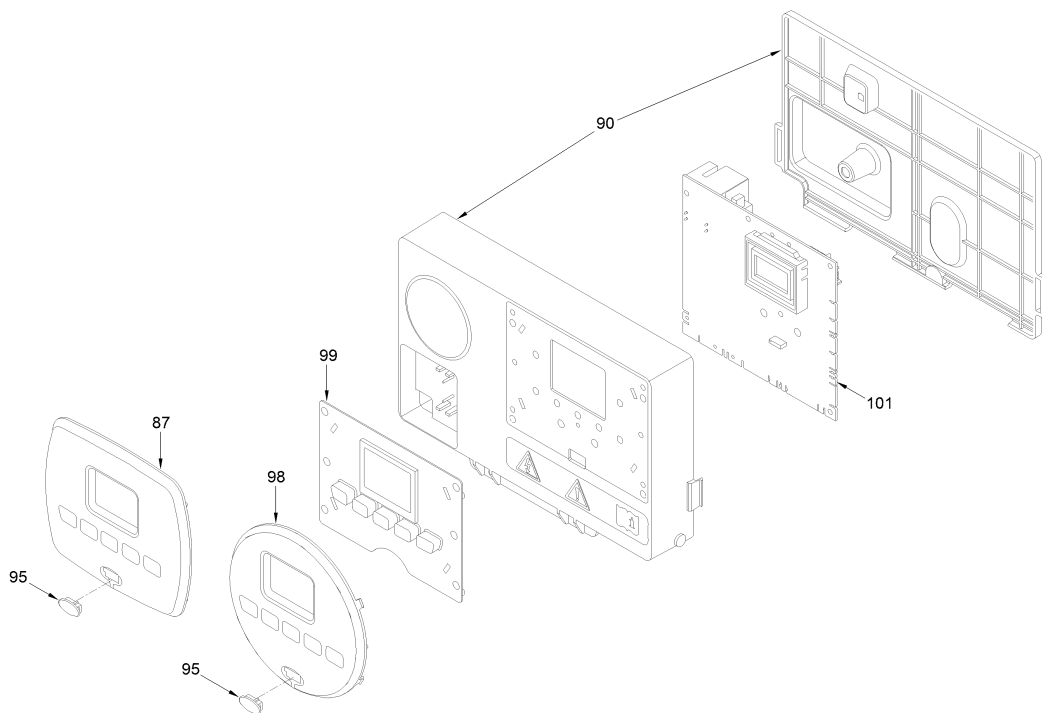
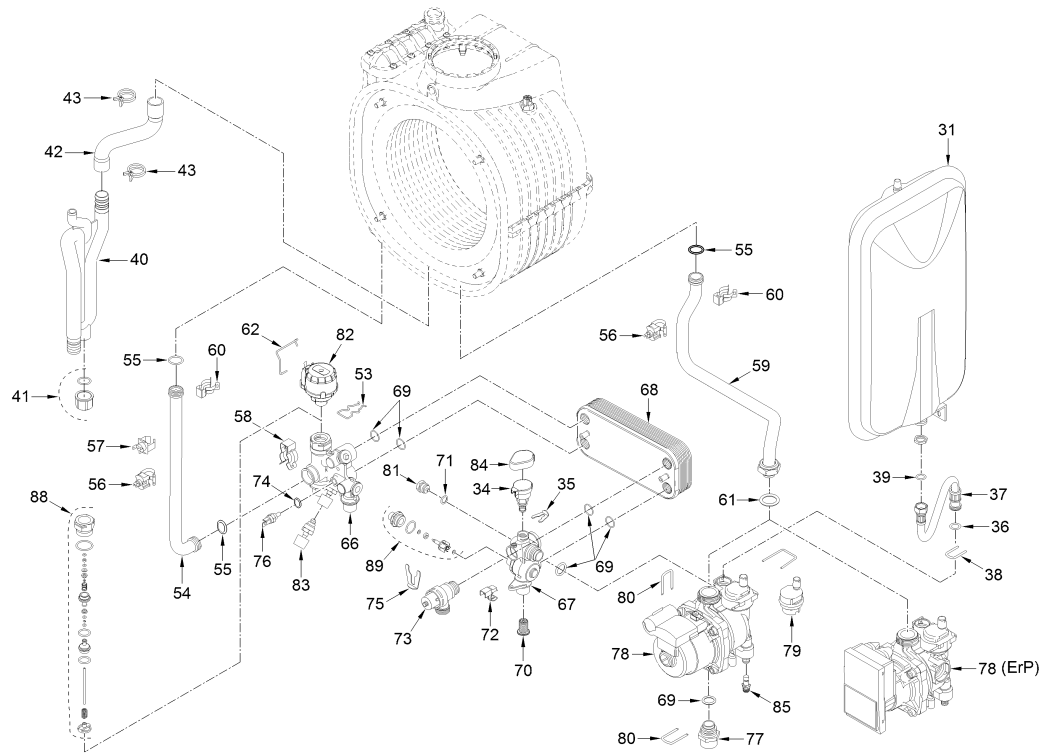
Comfort Ambiente - Via Garbo, 27 - 37045 Legnago (VR)

Tel +39 0442 631111 - Fax Servizio Commerciale: Italia +39 0442 631291 - Estero +39 0442 631293

Fax Servizio Tecnico +39 0442 631292 - Fax Ufficio Acquisti +39 0442 631292 - Fax Amministrazione +39 0442 631336

8114252 CALD.MET. BRAVA SLIM HE 30 ErP





| Posiz. | Codice | Descrizione |
|--------|---------|--------------------------------|
| 001 | 6264560 | Boiler fixing bracket |
| 002 | 6010890 | Support exchangers bracket |
| 003 | 6147412 | Plug for air vent connection |
| 004 | 6226464 | O-ring 115 diam. 11,91x2,62 |
| 005 | 6226624 | Spring air vent knob |
| 006 | 6278913 | Main exchanger body |
| 007 | 6277130 | Probe NTC D.4X40 |
| 008 | 6010892 | Support exchangers bracket |
| 009 | 6269008 | Main exchanger door insulation |
| 010 | 5188361 | Main exchanger door |
| 011 | 6248870 | Combustion chamber O-ring |
| 012 | 6248871 | Glass fibre sealing cord |
| 013 | 6311810 | Glass fixing flange |
| 014 | 6020103 | Sight glass |
| 015 | 6248872 | Sight glass gasket |
| 016 | 6278370 | Premix burner |

| | | |
|------|---------|---------------------------------|
| 017 | 6174828 | Gasket for burner flange |
| 018 | 6278892 | Air-gas hose |
| 019 | 6174819 | Air-gas hose gasket |
| 020 | 6278891 | Side low air-gas hose |
| 021 | 6174809 | Gasket for ignition electrode |
| 022 | 6221670 | Ignition-ionisation electrode |
| 023 | 6285950 | Bracket |
| 024 | 6174816 | Gasket for fan flange |
| 025 | 6274390 | Air/gas mixer |
| 026 | 6028703 | Gasket for duct flange |
| 027 | 6261412 | Fan |
| 028 | 6278703 | Smoke chamber |
| 029 | 6248855 | P.C. inlet/outlet smokes gasket |
| 030 | 6291150 | Upper protection shield |
| 031 | 5183729 | Rectang. expans.vessel 9 l. 3/8 |
| 032 | 6146101 | Hydrometer |
| 033 | 6226628 | Hydrometer Fixing spring |
| 034 | 6273608 | Water pressure transducer |
| 035 | 6226639 | Spring clip |
| 036 | 6226476 | ORing diam.15x2 |
| 037 | 6017405 | Flexible pipe M.F. 3/8" L=300 |
| 038 | 6226643 | Pipe fixing spring |
| 039 | 2030226 | Gasket Ø 10,2x14,8x2 |
| 040 | 6277211 | Water trap |
| 041 | 6119381 | Cap G 1/2" |
| 042 | 6034155 | Condensate drainage pipe |
| 043 | 2051123 | Clamp diam. 24,2 |
| 044 | 1010215 | Rubber pipe dia. 15x2,5 |
| 045 | 2051120 | Clamp diam. 17,3 |
| 046 | 6001162 | Air intake pipe 40 |
| 047 | 2051203 | Hose clamp Ø 40-60 |
| 048 | 6243838 | Gas valve |
| 049 | 2030249 | Gasket Ø 24x17x3 |
| 050 | 6277445 | Pipe connecting gas valve-mixer |
| 051 | 6050471 | Nozzle 530 |
| 052 | 6226477 | Rubber gasket OR Ø 17x3 |
| 053 | 6226636 | D.H.W. elektrovalve fix.spring |
| 054 | 6227462 | Flowing pipe to C.H. system |
| 055 | 6226412 | O-ring 3068 |
| 056 | 6231372 | Temperature sensor |
| 057 | 6146729 | 100°C safety stat |
| 058 | 6226601 | Spring for heat exchanger conne |
| 059 | 6227539 | Return pipe from C.H. system |
| 060 | 6226619 | Spring for heat exchanger conne |
| 061 | 2030267 | Piracriten gasket Ø 30x17x2 |
| 062 | 6226638 | Divertor valve motor spring cli |
| 063 | 6304480 | casing left/right side panel |
| 064 | 6325010 | Casing front panel |
| 065 | 6281545 | Replacement rear insulat. kit |
| 066 | 6265870 | C.H. flow manifold |
| 067 | 6265830 | C.H. return manifold |
| 068A | 6265657 | 14 plate-type heat exchanger |
| 069 | 6226475 | ORing diam.18,64x3,53 |
| 070 | 6222003 | D.H.W. filter |
| 071 | 2030225 | Gasket Ø 5,5x11x2 |
| 072 | 6131440 | Flowmeter sensor |
| 073 | 6040225 | Pressure relief valve 1/2" 3 ba |
| 074 | 6022010 | Sensor gasket |
| 075 | 6226645 | Spring clip |
| 076 | 6231351 | Plunged sensor |
| 077 | 6120560 | Pump nipple 3/4" |
| 078B | 6272360 | Modulating circulating pump |
| 079 | 6013182 | Automatic air vent |
| 080 | 6226644 | Spring clip for rotating connec |
| 081 | 6147401 | Plug 1/4" |
| 082 | 6087332 | Motor for diverting valve |
| 083 | 6319639 | Filling cock |
| 084 | 6319650 | Bitron transducer cap |
| 088 | 6319645 | Three-way plates group |
| 089 | 6319644 | Flowmeter group |
| 090 | 6304720 | Control panel |
| 095 | 6305140 | Rubber cap |
| 098 | 6304831 | Interface panel |
| 099 | 6305131 | Rubber button |
| 101 | 6324920 | Main P.C.B. |
| 700 | 6281534 | Gaskets kit |
| 701 | 6319695 | Murelle-Format-.....o-ring kit |

| | | |
|-----|---------|--------------------------------|
| 702 | 6211794 | Peephole kit |
| 706 | 6323875 | 6 pole cable connector CN12 |
| 707 | 6323876 | 4 pole cable connector CN14 |
| 709 | 6323872 | 9 pole cable connector CN1 |
| 714 | 6319700 | Springs / clamps kit DIN |
| 715 | 5202551 | Complete control panel |
| 716 | 6325626 | Pump-fan 4 pole connect. CN13 |
| 717 | 6325627 | 6 pole cable connector CN2 |
| 718 | 6325628 | 14 pole cable connect.CN15+CN5 |